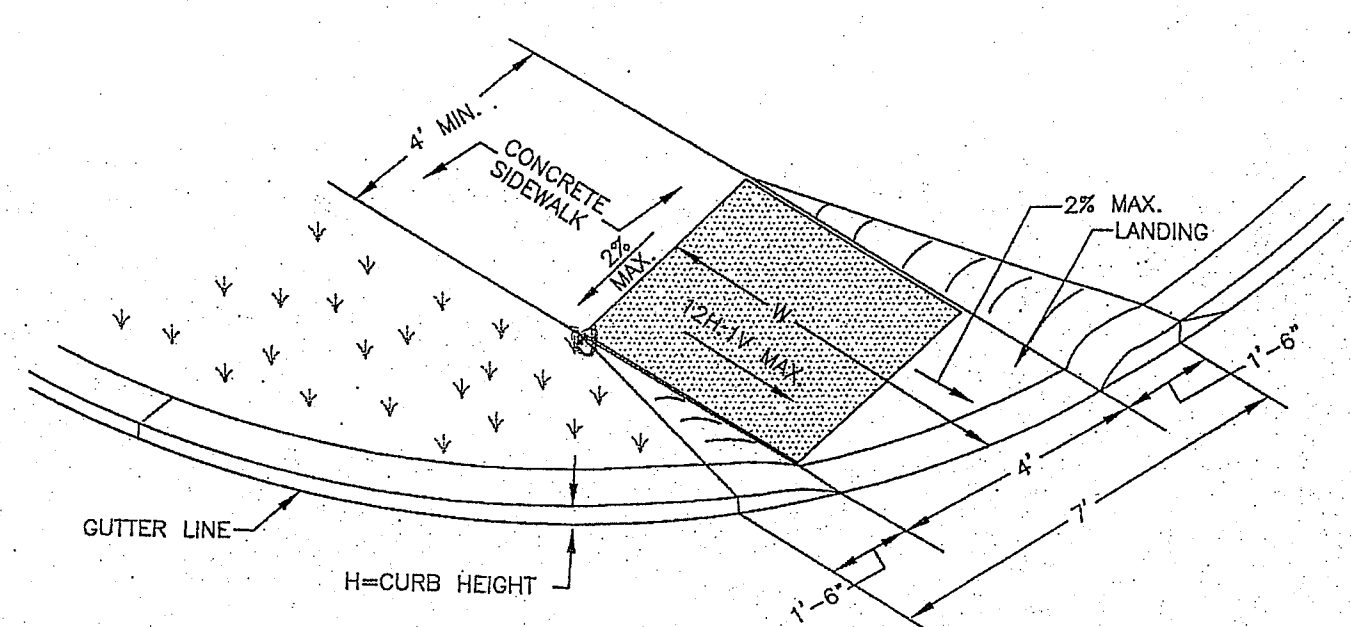
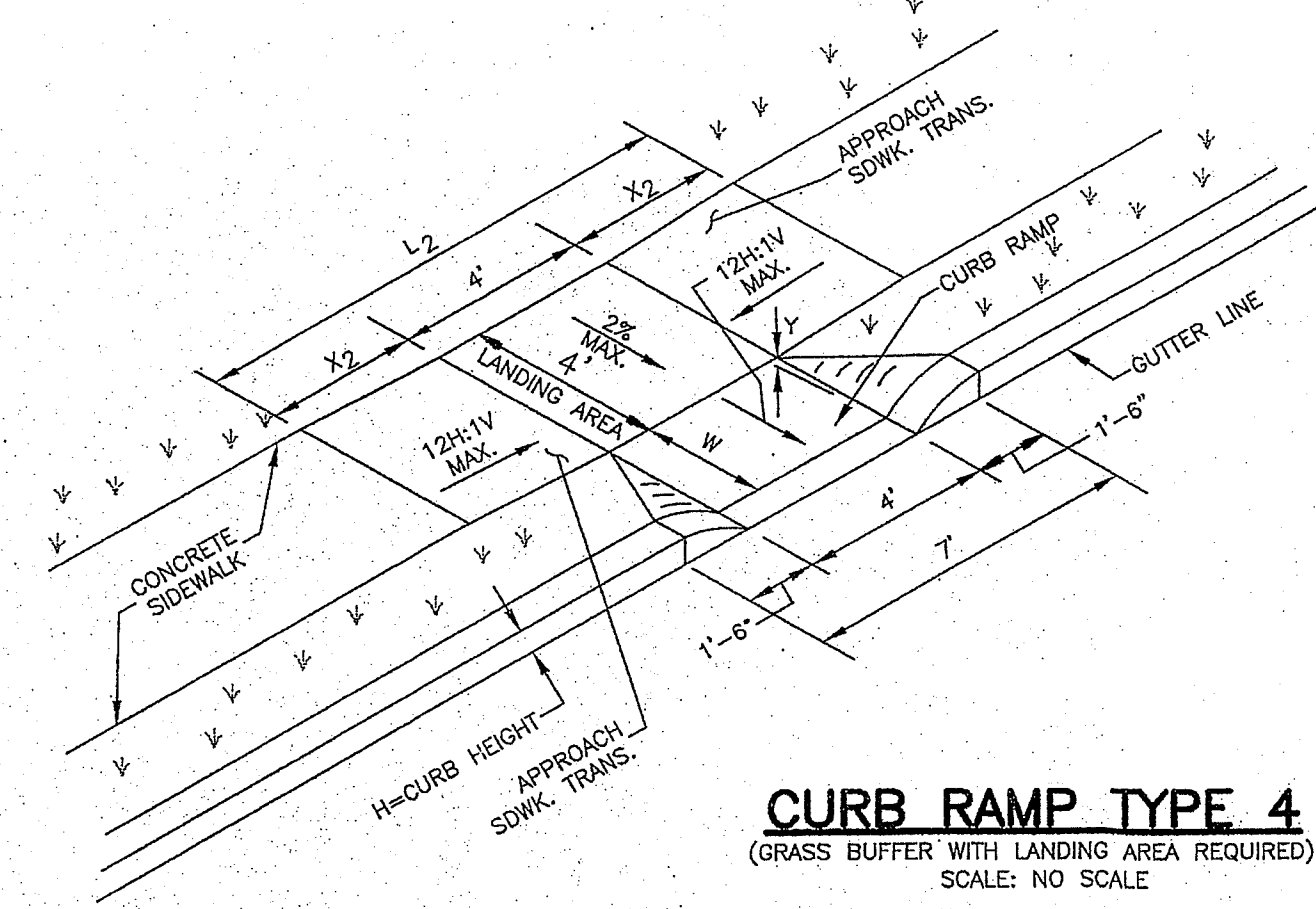


CURB RAMP TYPE 1			
H INCHES	X1 FEET	L1 FEET	W FEET
3	2.5	9.0	3
4	3.5	10.6	4
5	4.2	12.4	5
6	5.0	14.0	6
7	5.8	15.6	7
8	6.7	17.4	8
9	7.5	19.0	9

CURB RAMP TYPE 1
SCALE: NO SCALE



CURB RAMP TYPE 5
SCALE: NO SCALE

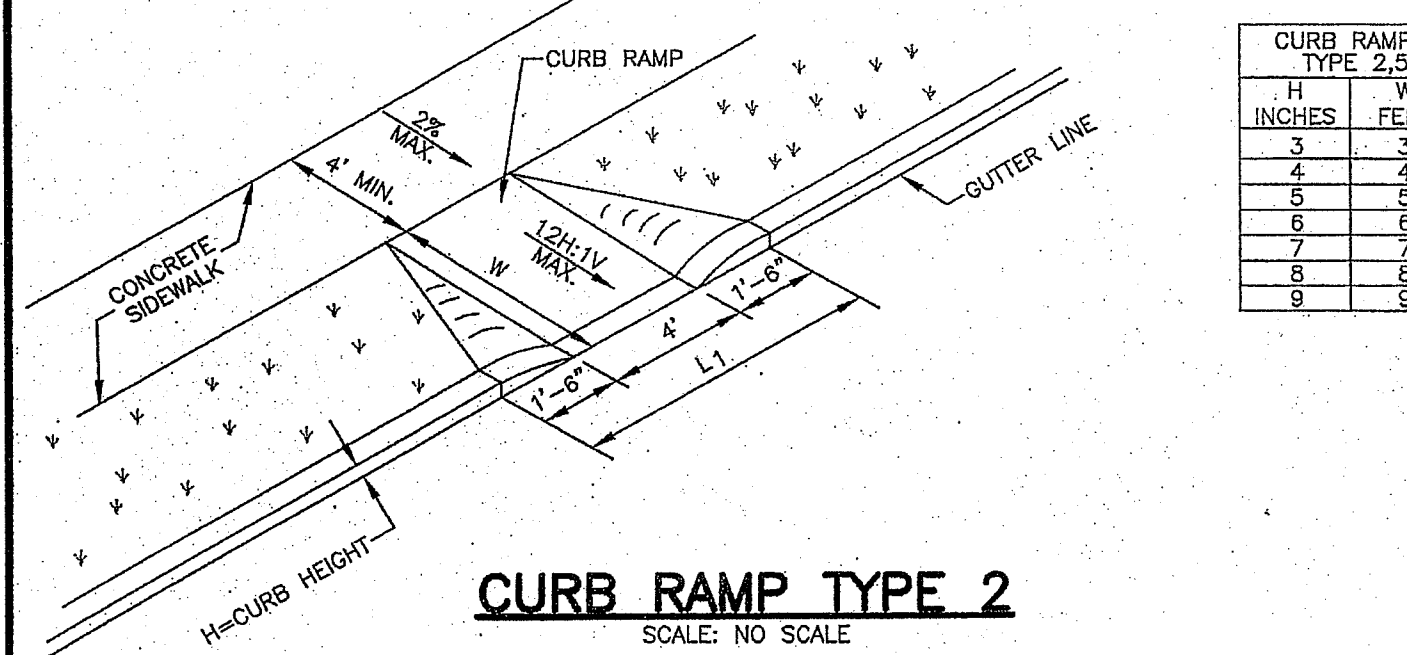
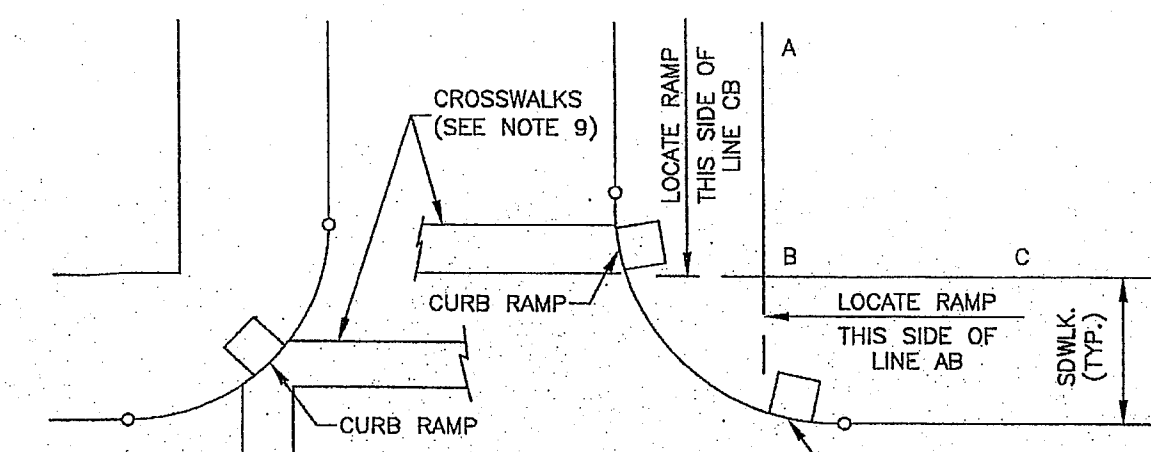


CURB RAMP TYPE 4
(GRASS BUFFER WITH LANDING AREA REQUIRED)
SCALE: NO SCALE

CURB RAMP TYPE 4			
W FEET	H INCHES	X2 FEET	L2 FEET
2.5	3	2.5	0.5
3	4	2.5	1.5
4	5	2.5	2.5
5	6	2.5	3.5
6	7	2.5	4.5
7	8	2.5	5.5
8	9	2.5	6.5
9	10	2.5	7.5
3.0	3	**	**
4	4	3.0	1
5	5	3.0	2
6	6	3.0	3
7	7	3.0	4
8	8	3.0	5
9	9	3.0	6
3.5	3	**	**
4	4	3.5	0.5
5	5	3.5	1.5
6	6	3.5	2.5
7	7	3.5	3.5
8	8	3.5	4.5
9	9	3.5	5.5
4.0	3	**	**
4	4	**	**
5	5	4.0	1
6	6	4.0	2
7	7	4.0	3
8	8	4.0	4
9	9	4.0	5

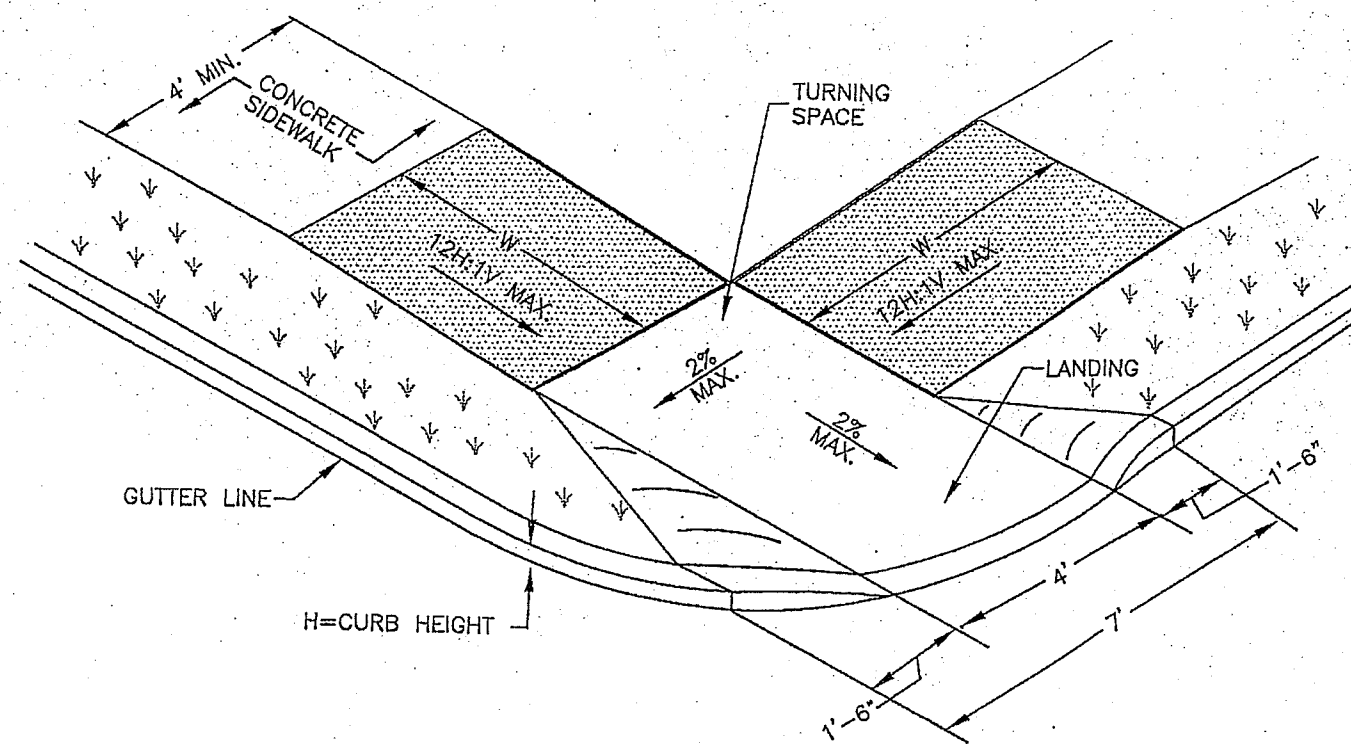
ALTERNATE TREATMENT
(SEE NOTE 9)

PREFERRED TREATMENT
(SEE NOTE 9)

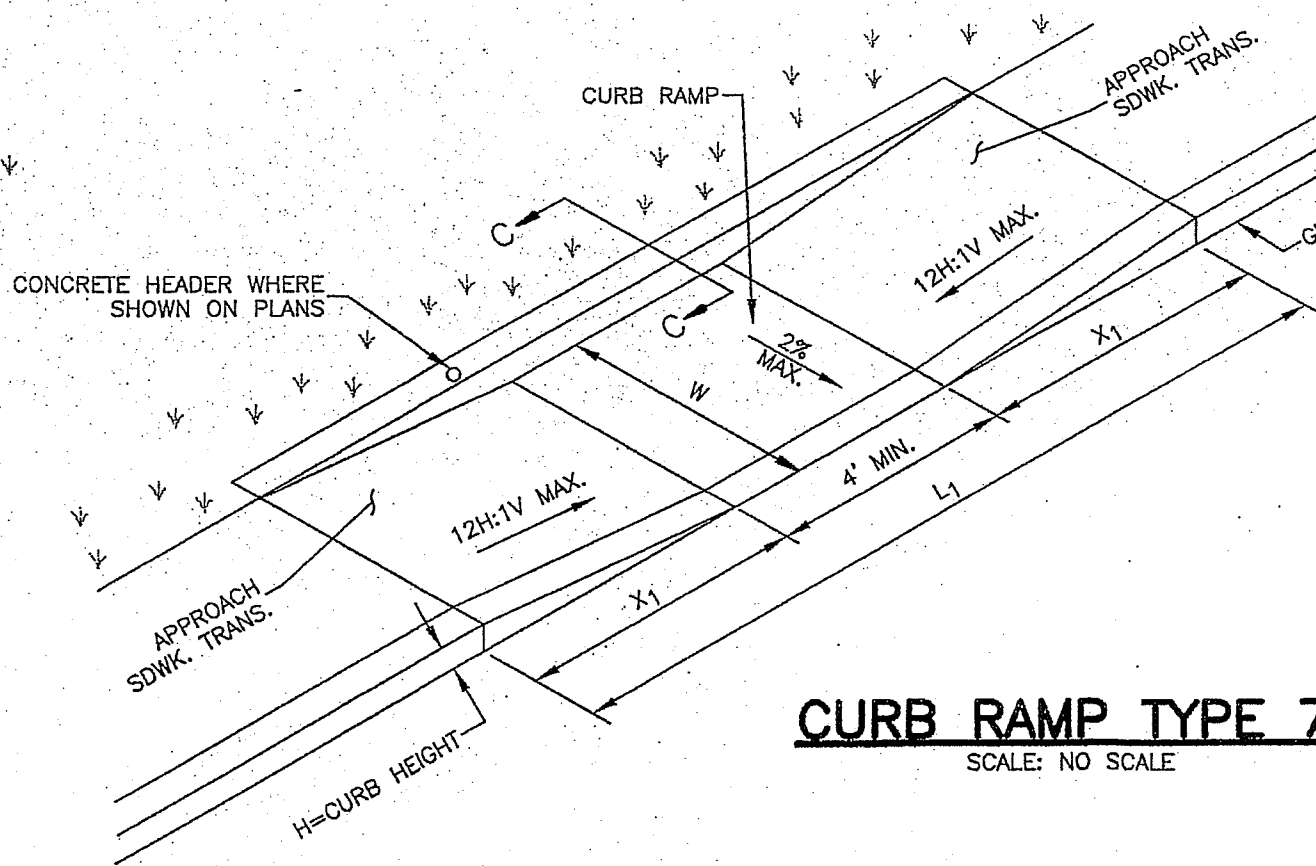


CURB RAMP TYPE 2
SCALE: NO SCALE

CURB RAMP TYPE 2, 5, 6		
H INCHES	X1 FEET	W FEET
3	3	3
4	4	4
5	5	5
6	6	6
7	7	7
8	8	8
9	9	9

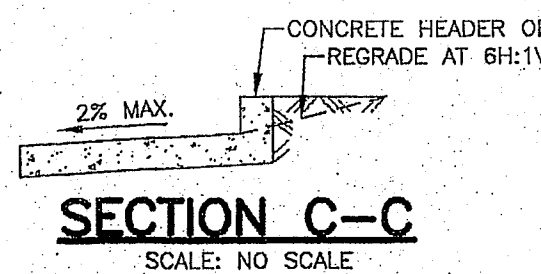


CURB RAMP TYPE 6
SCALE: NO SCALE

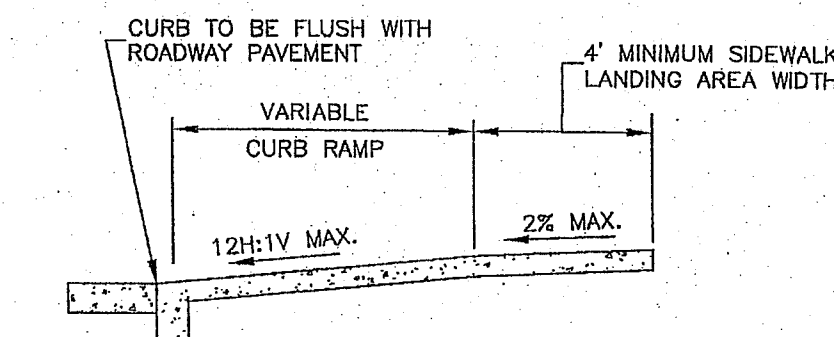


CURB RAMP TYPE 7
SCALE: NO SCALE

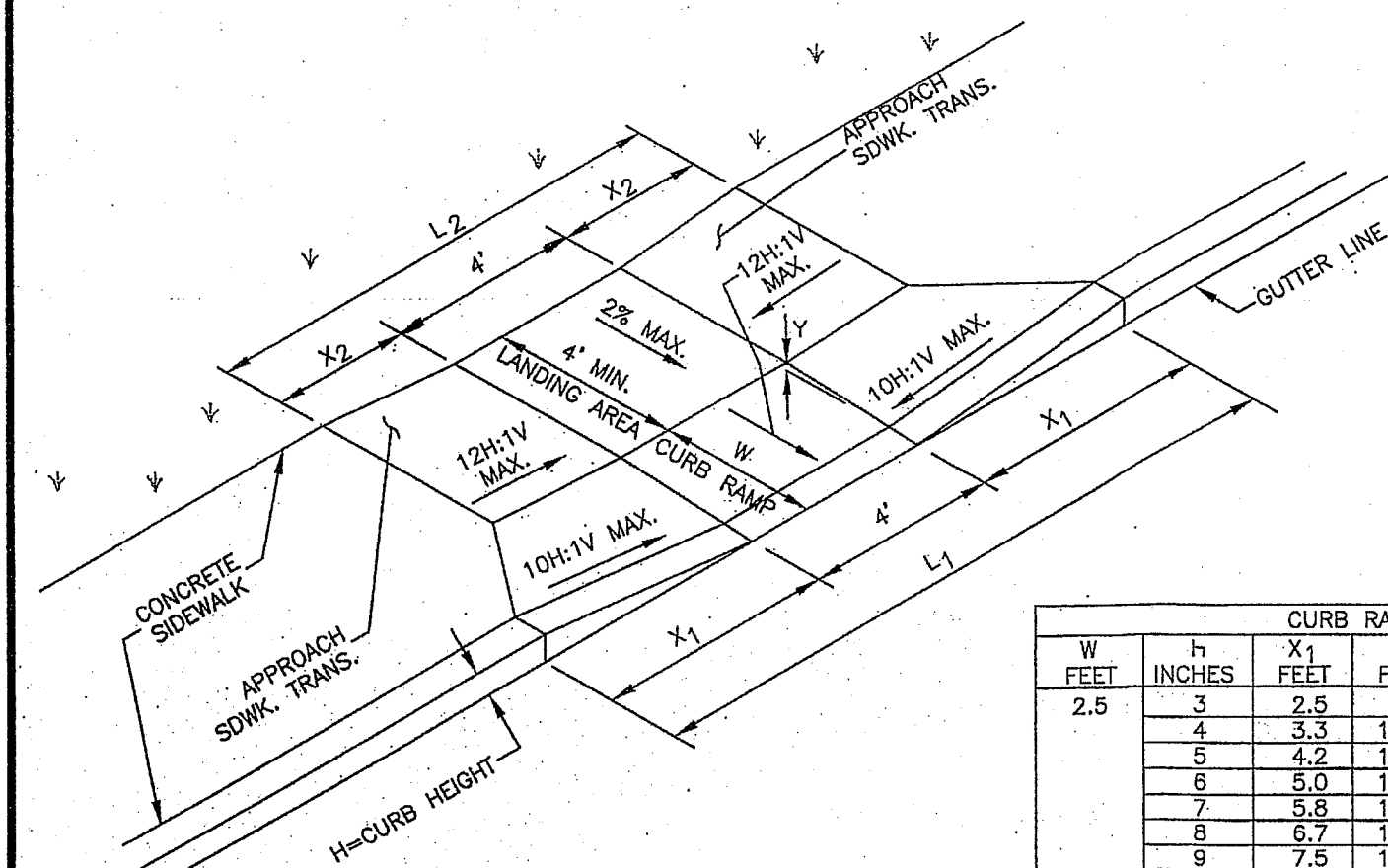
CURB RAMP TYPE 7			
W FEET	H INCHES	X1 FEET	L1 FEET
4 MIN.	4	4	13
5	5	5	15
6	6	6	17
7	7	7	19
8	8	8	21
9	9	9	23



SECTION C-C
SCALE: NO SCALE

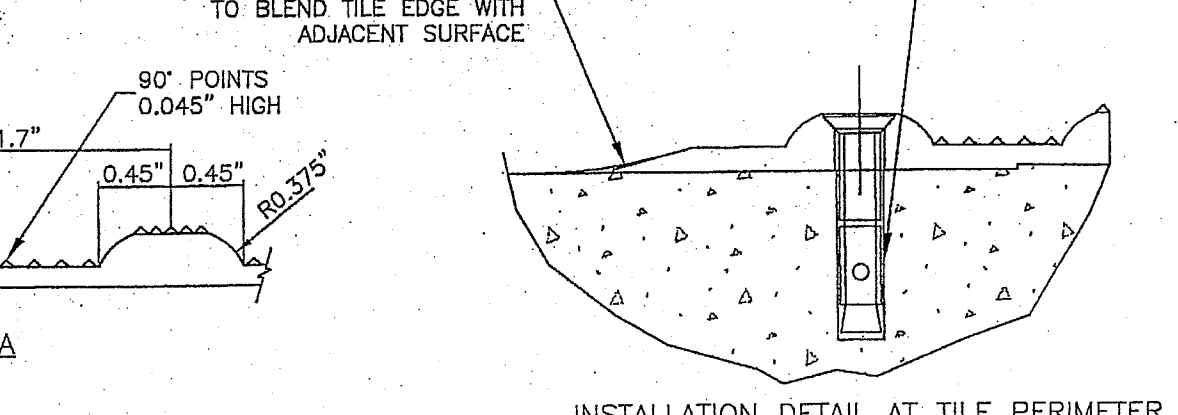
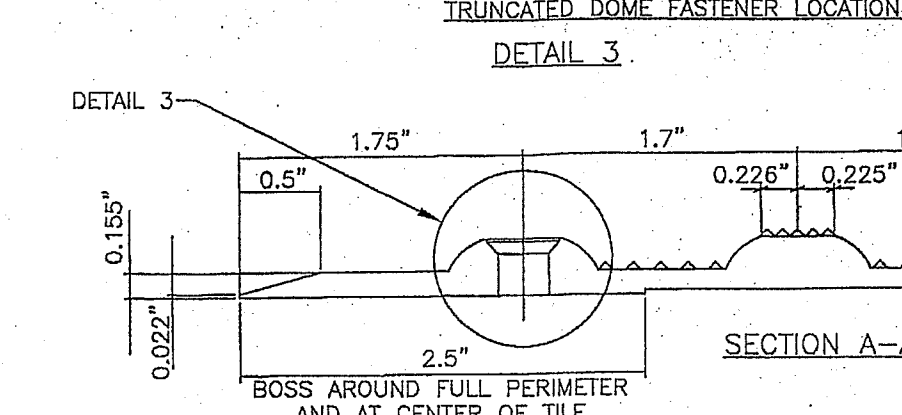
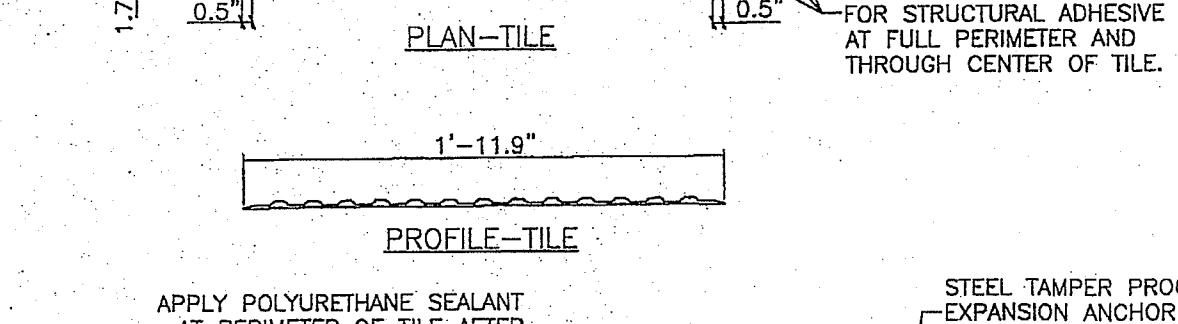
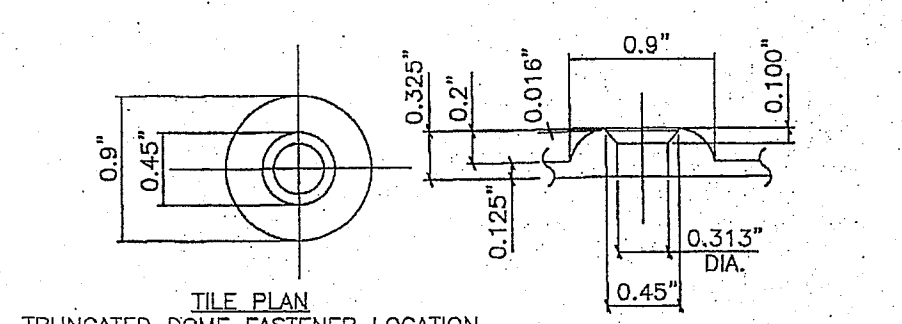
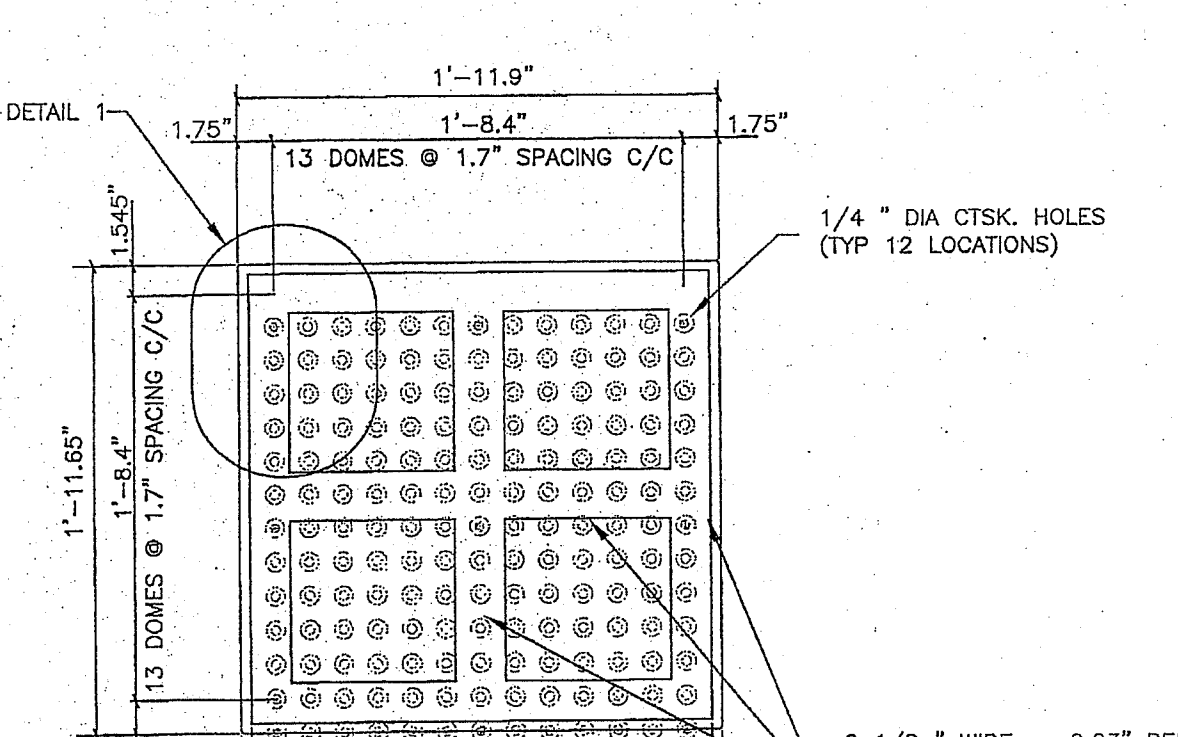
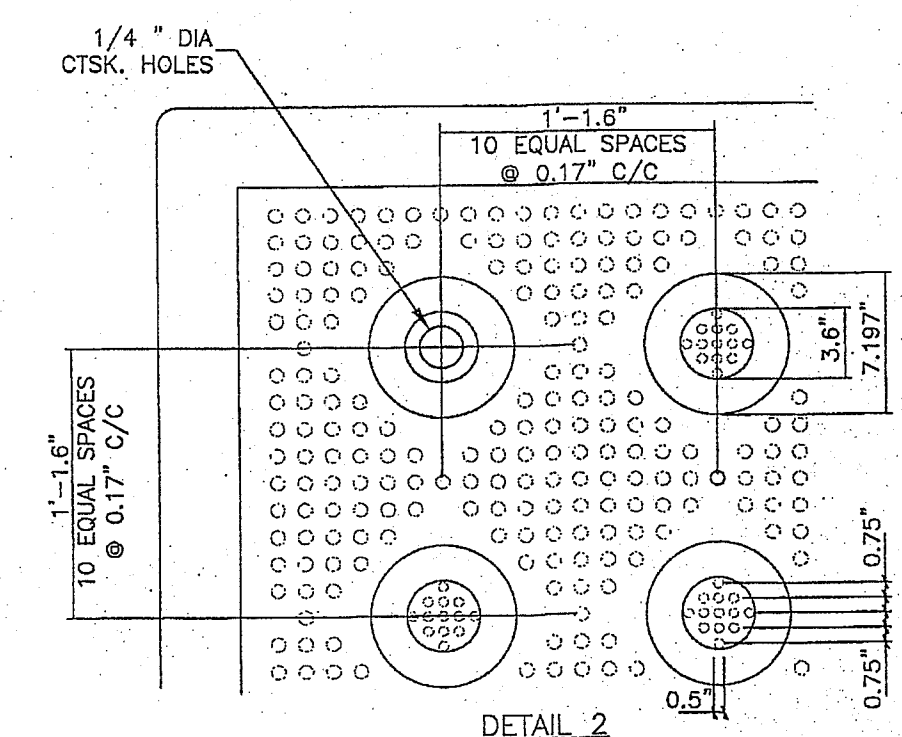


SECTION THROUGH CURB
SCALE: NO SCALE

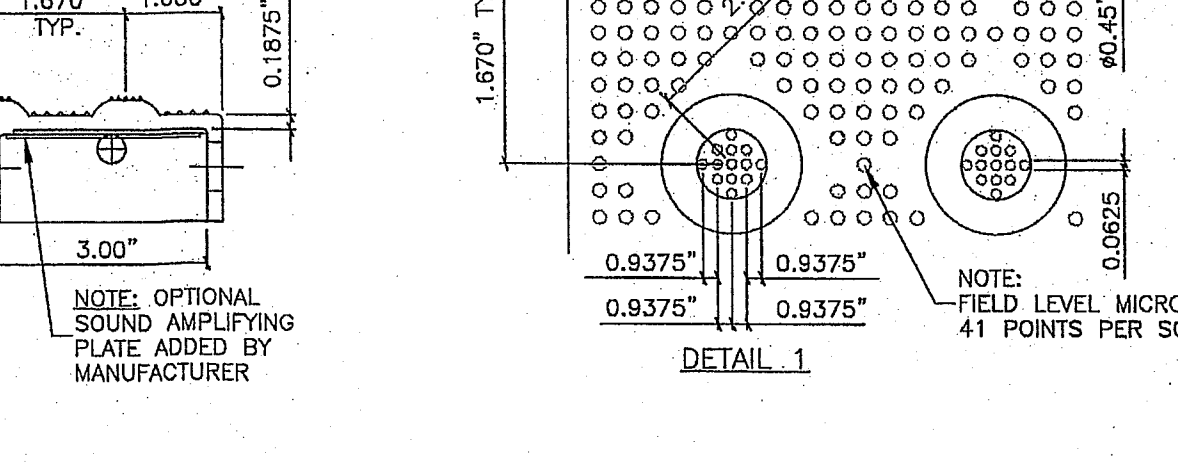
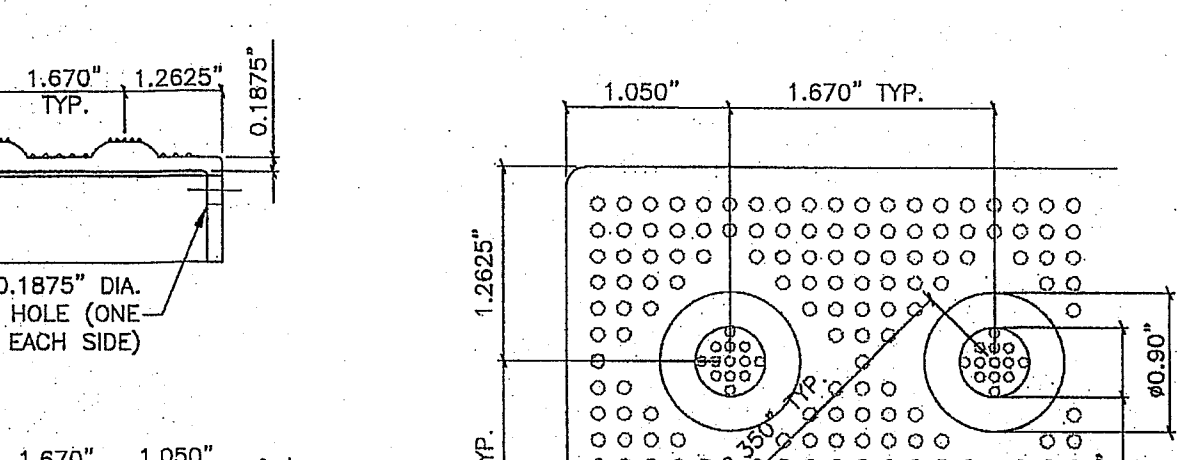
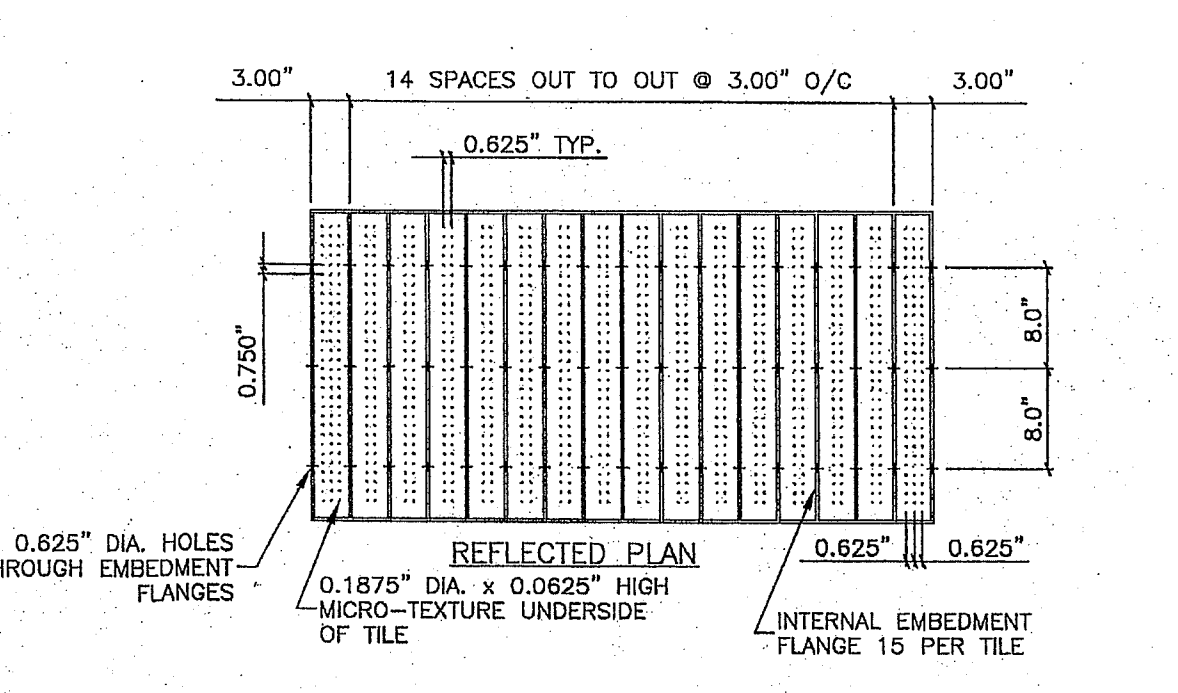
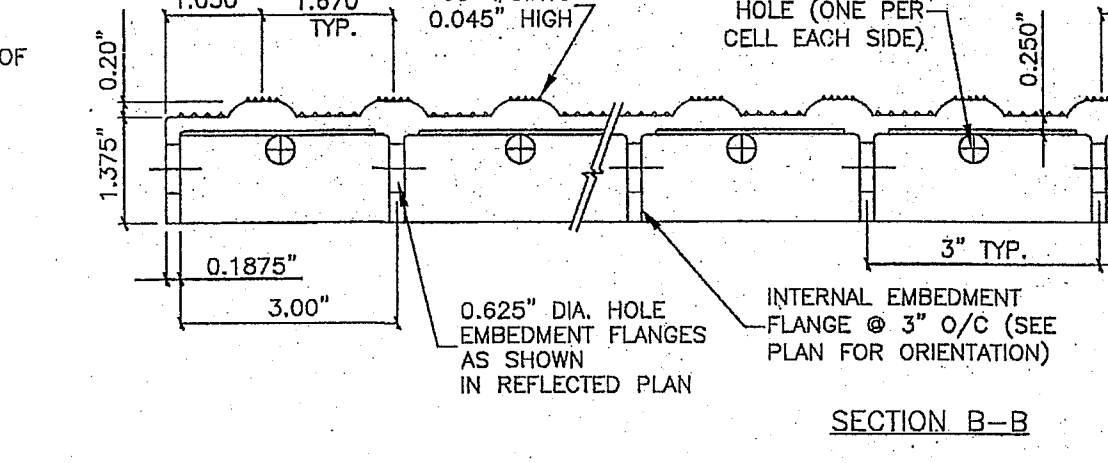
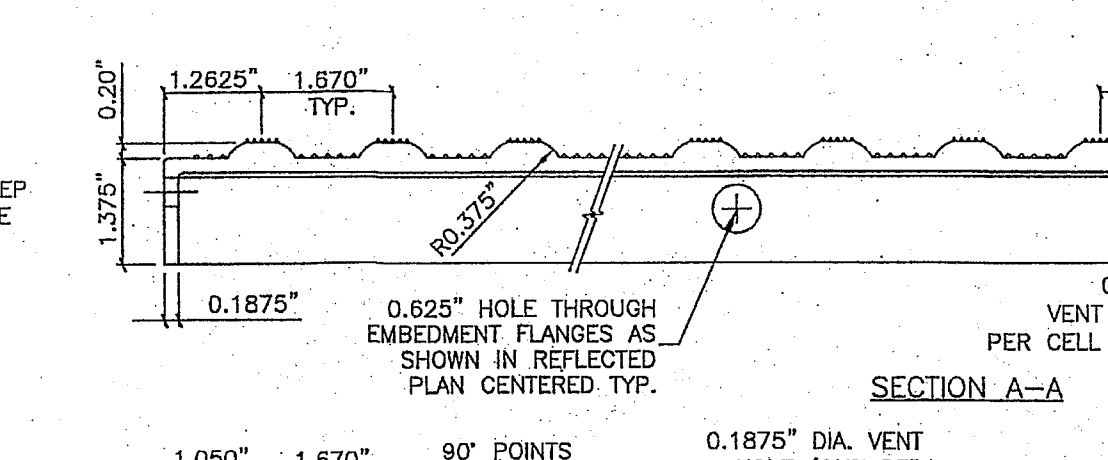
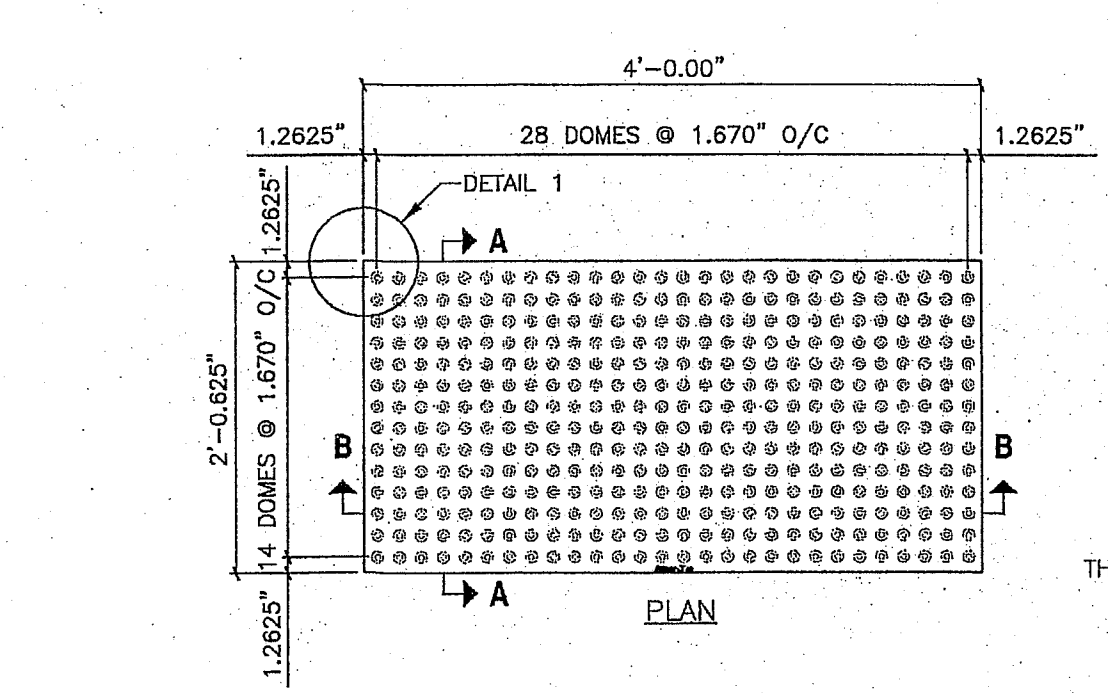


CURB RAMP TYPE 3
(LANDING AREA REQUIRED)
SCALE: NO SCALE

CURB RAMP TYPE 3					
W FEET	H INCHES	X1 FEET	L1 FEET	X2 FEET	L2 FEET
2.5	3	2.5	9	2.5	0.5
4	4	3.5	10.6	2.5	1.5
5	5	4.2	12.4	2.5	2.5
6	6	5.0	14.0	2.5	3.5
7	7	5.8	15.6	2.5	4.5
8	8	6.7	17.4	2.5	5.5
9	9	7.5	19.0	2.5	6.5
3.0	3	**	**	**	**
4	4	3.3	10.6	3.0	1
5	5	4.2	12.4	3.0	2
6	6	5.0	14.0	3.0	3
7	7	5.8	15.6	3.0	4
8	8	6.7	17.4	3.0	5
9	9	7.5	19.0	3.0	6
3.5	3	**	**	**	**
4	4	3.3	10.6	3.5	0.5
5	5	4.2	12.4	3.5	1.5
6	6	5.0	14.0	3.5	2.5
7	7	5.8	15.6	3.5	3.5
8	8	6.7	17.4	3.5	4.5
9	9	7.5	19.0	3.5	5.5
4.0	3	**	**	**	**
4	4	**	**	**	**
5	5	4.0	12.4	4.0	1
6	6	4.0	14.0	4.0	2
7	7	4.0	15.6	4.0	3
8	8	4.0	17.4	4.0	4
9	9	4.0	19.0	4.0	5



ACCESSIBLE RAMP DELINEATION
SURFACE MOUNTED
NOT TO SCALE



ACCESSIBLE RAMP DELINEATION
CAST IN PLACE
NOT TO SCALE

CURB RAMP NOTES:

- LANDING AREA, APPROACH SIDEWALK TRANSITIONS, AND CURB RAMP SHALL BE KEPT CLEAR OF OBSTRUCTIONS.
- DIMENSIONS SHOWN IN TABLES ARE FOR RELATIVELY FLAT SIDEWALK AREAS. CARE SHOULD BE TAKEN WHEN DETERMINING CURB RAMP SIZE BASED ON CURB HEIGHT (H) WHERE ELEVATION OF CURB AND SIDEWALK VARY DRASTICALLY IN AREA OF PROPOSED CURB RAMP.
- CURB (DROPPED CURB) GUTTER LINE TO BE FLUSH WITH ROADWAY PAVEMENT A MINIMUM OF 4 FEET AT ALL CURB RAMPS.
- FOR CURB RAMP TYPES 5 AND 6, IF A GRASS BUFFER DOES NOT EXIST, SLOPE CURB TO EQUAL SLOPE OF ADJACENT CURB RAMP.
- SIDEWALK AND CURB RAMP WITHIN AREA ENCLOSED BY HEAVY LINES TO BE PAID FOR AS CONCRETE SIDEWALK OF THE APPROPRIATE ADJACENT THICKNESS.
- CURB AND HEADER WITHIN AREA ENCLOSED BY HEAVY LINES TO BE PAID FOR AS VERTICAL CURB OR SLOPING CURB OF THE APPROPRIATE ADJACENT SIZE AND KIND.
- WHERE THE DISTANCE FROM THE GUTTER LINE TO THE OUTSIDE EDGE OF THE SIDEWALK IS 6 FEET OR LESS, CURB RAMP TYPE 7 SHOULD BE USED, INSTEAD OF CURB RAMP 1 THROUGH 4.
- CROSSWALKS AND STOP LINES MAY BE MARKED OR UNMARKED, SEE PLANS.
- PREFERRED AND ALTERNATE TREATMENTS SHOULD NOT BE INTERMIXED WITHIN SAME INTERSECTION.
- DIMENSIONS SHOWN IN TABLES ARE FOR 3 INCH TO 9 INCH CURB HEIGHTS. WHERE THE CURB HEIGHTS ARE OTHER THAN WHAT IS PROVIDED IN THE TABLES, THE DIMENSIONS OF THE RAMPS WILL HAVE TO BE CALCULATED BASED ON CROSS SLOPES SHOWN.

CONSTRUCTION DETAILS - I

**ROAD REHABILITATION FOR
DUTCH NECK ROAD & MORRISON AVENUE**
(400' west of Dutch Neck Road/Route 130 Intersection
to Hightstown Borough Border)

DRAWN:	MBL	EAST WINDSOR TOWNSHIP	DATE	NO.
APPROVED:	JSL			
DATE:	8/30/19	MERCER COUNTY, N.J. 16 LANNING BOULEVARD EAST WINDSOR, N.J.		
SCALE:	N.T.S.			
SHEET NO.	6 of 10			REVISIONS

JOSEPH S. LALKA, P.E.
LICENSED PROFESSIONAL ENGINEER
STATE OF NEW JERSEY LIC. NO. 246E02386000